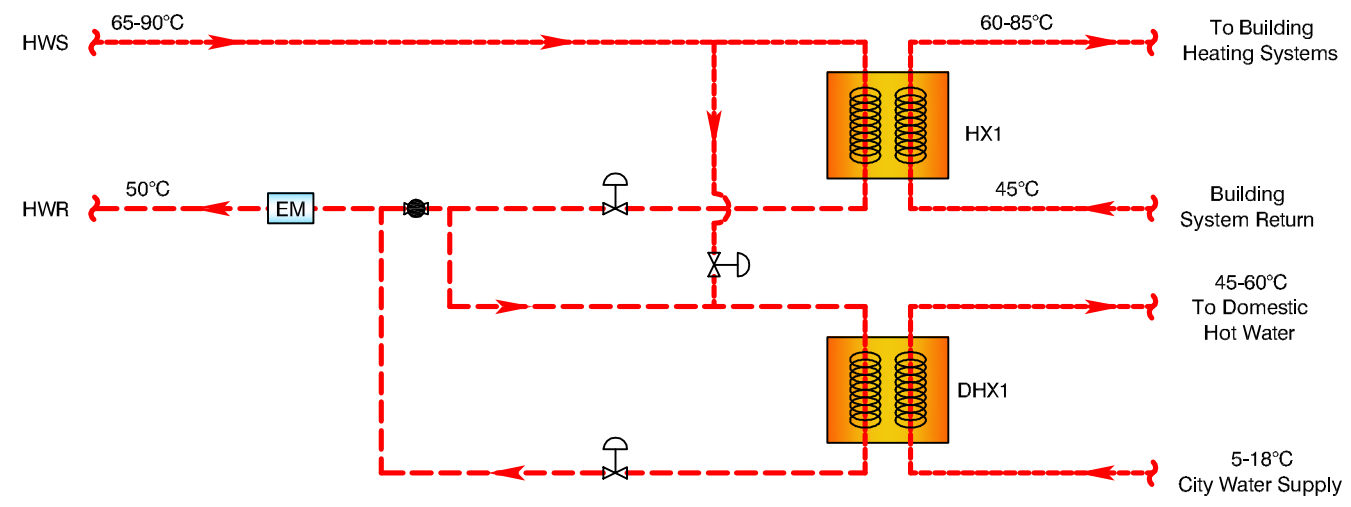


AT FULL SIZE THIS BAR MEASURES 100mm. ALL SCALES REFERENCED TO FULL SIZE.

Dec.11/13 4:59 PM

C:\2800-2890-2867-005-500-Drawings\2867005\07.dwg



Legend

- EM Energy Meter
- Hot Water Supply
- Hot Water Return
- Flow Control Valve
- Ball Valve (N/C)
- HX1 Space Heating Heat Exchanger
- DHX1 Domestic Hot Water Heat Exchanger

ISSUED INFORMATION					REVISION INFORMATION										
Issued for	Issue	Date	Issued By	Rev. No.	Date	Designed	Drawn	Checked	Description of Revision	Rev. No.	Date	Designed	Drawn	Checked	Description of Revision
Reference				0	Dec.13/13	SMW	AU								
Approvals	A0	Dec.13/13													
Tender															
Permits															
Construction															
Record Drawings															



CORIX UTILITIES
UBC NEIGHBOURHOOD DISTRICT ENERGY SYSTEM
PROCESS SCHEMATIC
ENERGY TRANSFER STATION

KWL Project No. 2867-005 Scale NONE **M07**
 Sheet 7 of 7 Rev. No. 0 Drawing Number
 Client: Cork Utilities PRINTED ON 100% RECYCLED BOND.